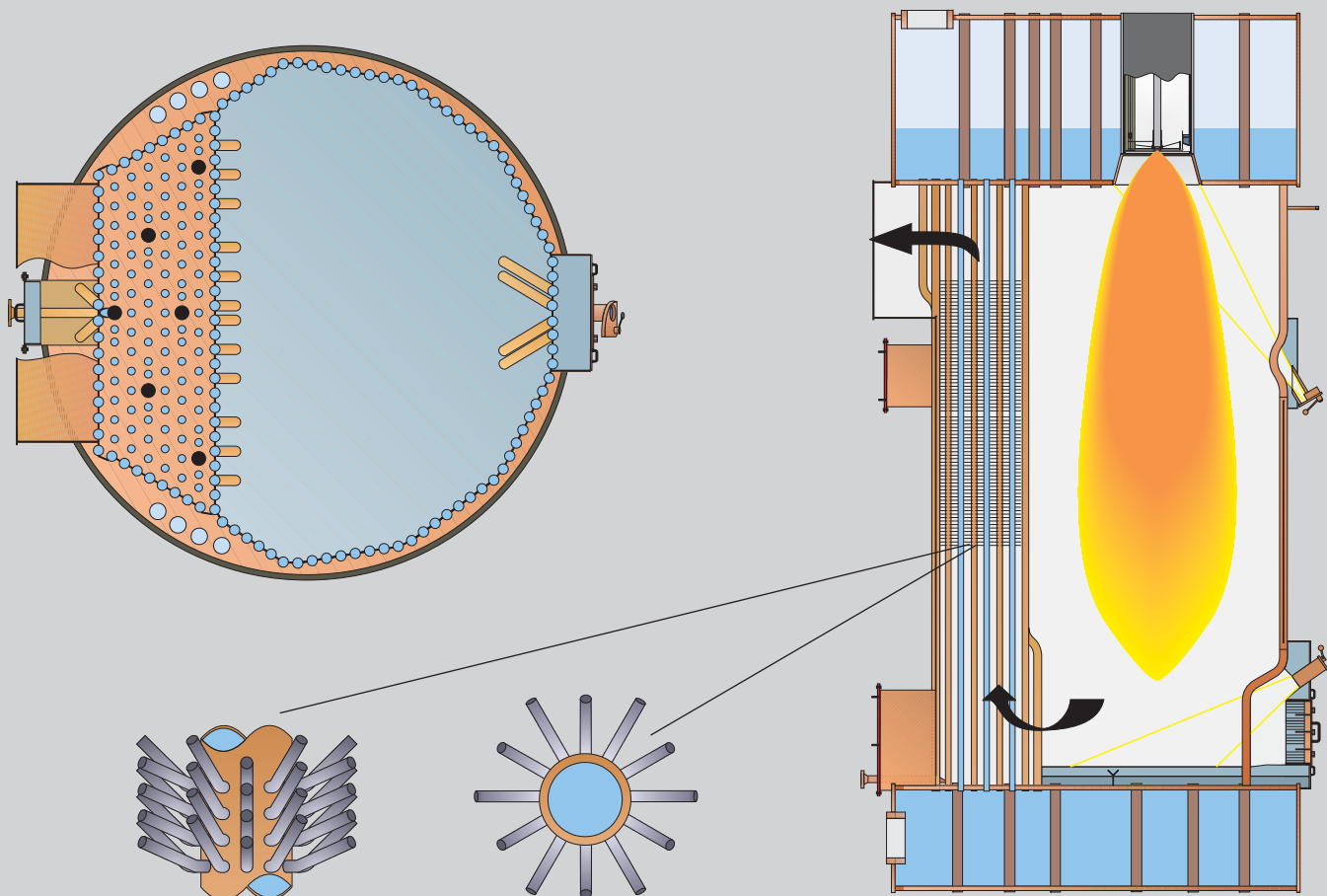
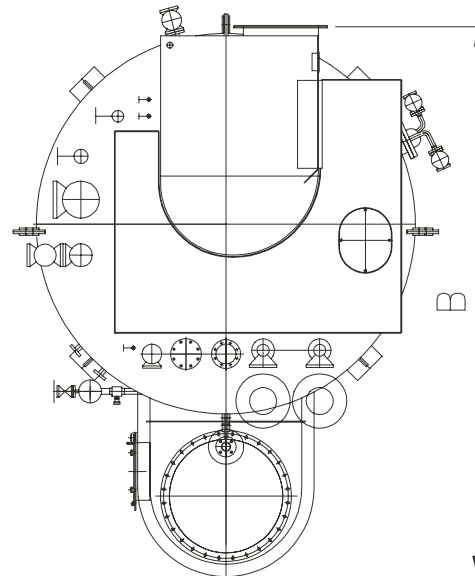
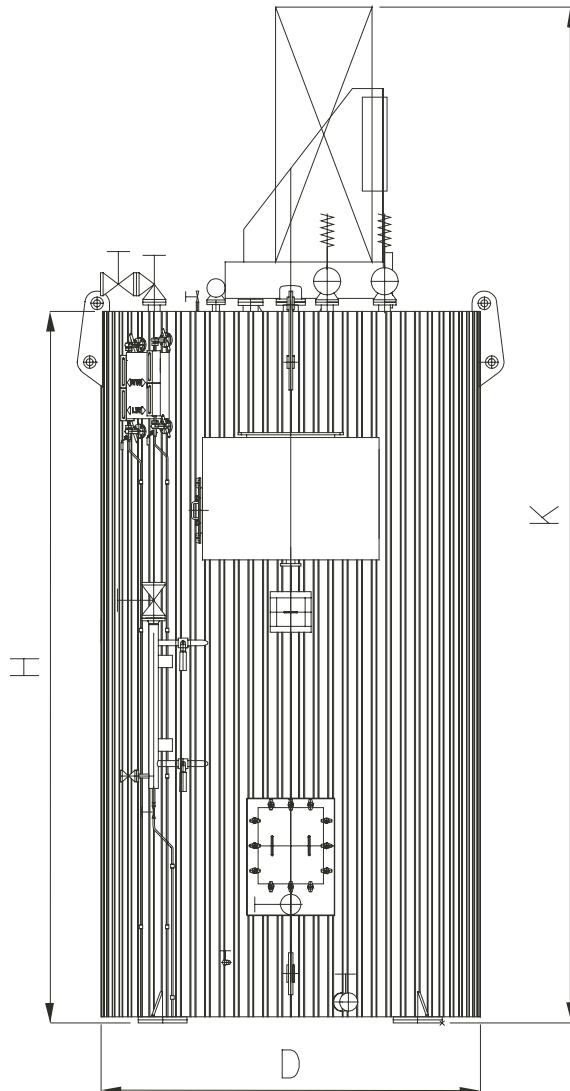


# MISSION™ OL



The MISSION™ OL is a standard cylindrical two-drum boiler. The furnace, built of membrane walls and containing only little refractory, is shaped to provide optimal combustion conditions. The convection section consists of straight pin-tubes with bent pins that provide a high heat transfer coefficient and a low pressure loss. Circulation is ensured by placing down-comers outside the membrane walls.

Capacity range: 12.5 – 55 t/h



## STANDARD PRODUCT RANGE

## Capacity and dimensions

Steam capacity	Design pressure	Thermal output at 100% MCR	Height K (incl retraction of burner lance)	Diameter D (incl. insulation)	Hight H	Width B	Boiler dry weight	Boiler operation weight
kg/h	bar (g)	kW	mm	mm	mm	mm	ton	ton
12,500	18	8,800	8,100	2,670	5,760	4,100	18.7	25.4
16,000	18	11,300	8,200	3,070	5,760	4,450	23.2	32.1
20,000	18	14,100	9,100	3,220	6,110	4,700	26.5	36.7
25,000	18	17,600	9,900	3,320	6,960	4,900	29.9	41.1
30,000	18	21,200	10,200	3,570	7,160	5,250	34.6	47.8
35,000	18	24,700	10,050	3,870	7,010	5,650	39.7	55.1
40,000	18	28,200	10,650	3,870	7,410	5,750	41.9	57.8
45,000	18	31,800	10,650	4,270	7,360	6,250	48.4	67.7
55,000	18	38,800	10,900	4,520	7,410	6,600	56.0	78.0

### DATA SHEET series