



Compact thyristor  
operated oil and fuel heater

## VESTA™ EH-C

VESTA™ EH-C is a flow-through electrical heater, ideal for heating oil and fuel. Its heat load capacities range from 5 to 72 kW, with design conditions up to 16 bar(g) and 160°C.

The standard VESTA™ EH-C is installed vertically on a floor stand.

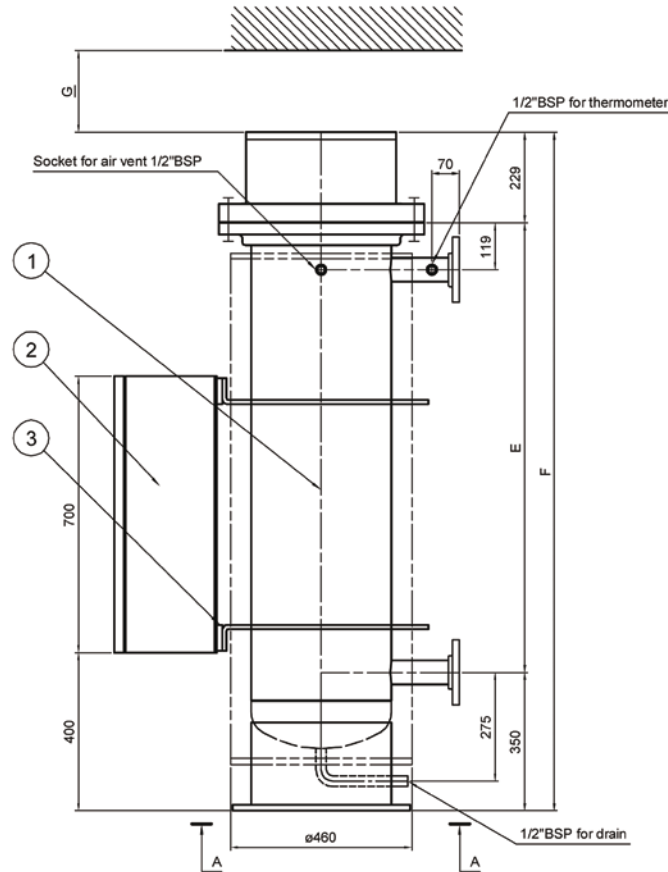
The PID regulator features simple operation through 4 keys and self-optimization function.

The VESTA™ EH-C heater is approved by all major marine classification societies and complies with the European standards.



# VESTA™ EH-C

## Electrical oil & fuel heater



### STANDARD PRODUCT RANGE

### Capacity and dimensions

TYPE	EH-C15			EH-C2			EH-C25				EH-C30				EH-C35			
Capacity lub. oil kW	5	7	9	12	14	17	21	23	26	29	33	37	40	45	48	51	59	63
Capacity fuel oil kW	7	10	12	17	20	24	30	33	36	40	47	52	56	63	68	72		
Element length	600	850	1000	850	850	1000	850	850	1000	1000	850	1000	1000	1200	1200	1000	1200	1200
No. of elements	9	9	9	15	18	18	27	30	27	30	42	39	42	39	42	54	51	54

A  
B  
C  
DØ  
E  
F  
G  
I  
J  
K  
R  
S  
T

*Preliminary datasheet  
For more details please contact  
heaters@aalborg-industries.com*

Flange size, DN                      DN40                      DN40                      DN40                      DN50                      DN50

Note: Standard design values 16 bar(g), and 160°C

[www.aalborg-industries.com](http://www.aalborg-industries.com)

#### DATA SHEET series

© Aalborg Industries/DK, September 2008 (Design data are subject to change without prior notice).  
heaters@aalborg-industries.com

*Your Preferred Partner*